



# P-6

## RGBW Wash / Strobe / Pixel Light



### Description

The P-6 is the standardized LED wash fixture in the lighting industry, due to its IP66 rating, superior reliability, and user-centered design. Optimized for high punch in medium distances, the P-6 combines the compact size and low power consumption of the P-5 series with the unique optical approach and ergonomomy of the powerful P-10. This all-in-one LED luminaire features pixel-mapping control, long-throw capabilities with native 10° front lens, and all the benefits of magnetic easy-fit filter frames for different beam angles. It is a wash light, a pixel product, and a blinder in a lightweight, smart, and robust design: a must-have LED fixture.

### Features and benefits

- ✓ IP66-rated 10° RGBW LED luminaire with 18297 lumen
- ✓ CRMX Bridge: Wireless to wired DMX bridging with priority wired or wireless data selection
- ✓ CTC linear control from 2,000K to 10,000K
- ✓ User friendly display, wireless control, and integrated handle
- ✓ 24 x 24W LEDs with 6 individually controllable segments
- ✓ High-quality dimming performance with color filter emulation and VersaPath
- ✓ Different beam angles available via magnetic easy-fit holographic filter frames
- ✓ IP66-rated with built-in dehumidifier and superior thermal management

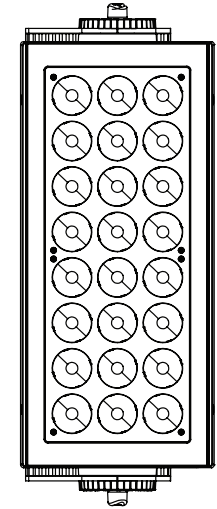
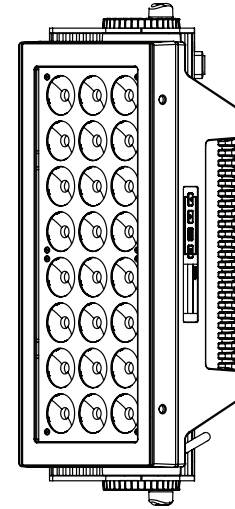
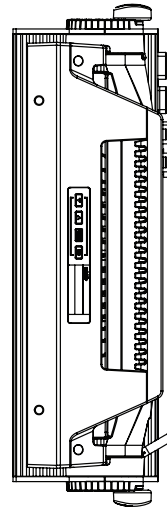
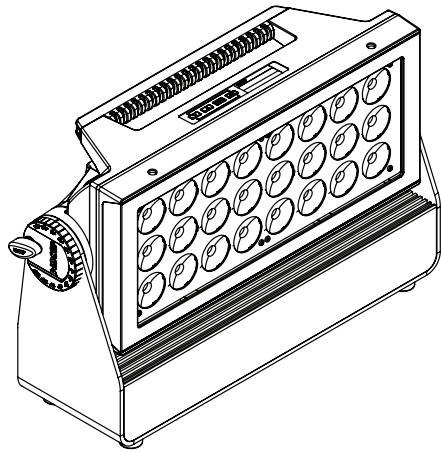
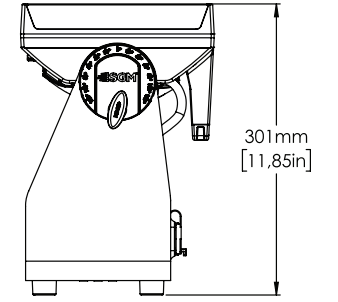
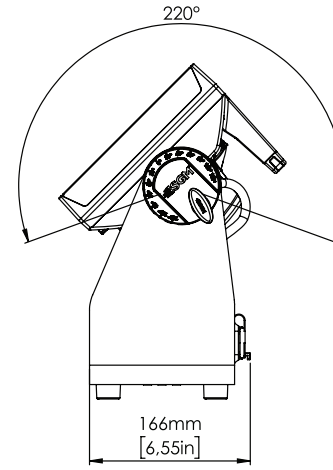
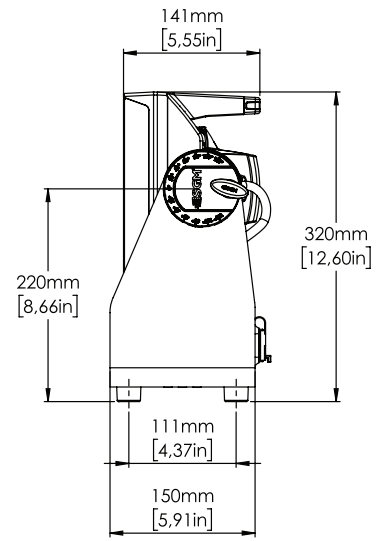
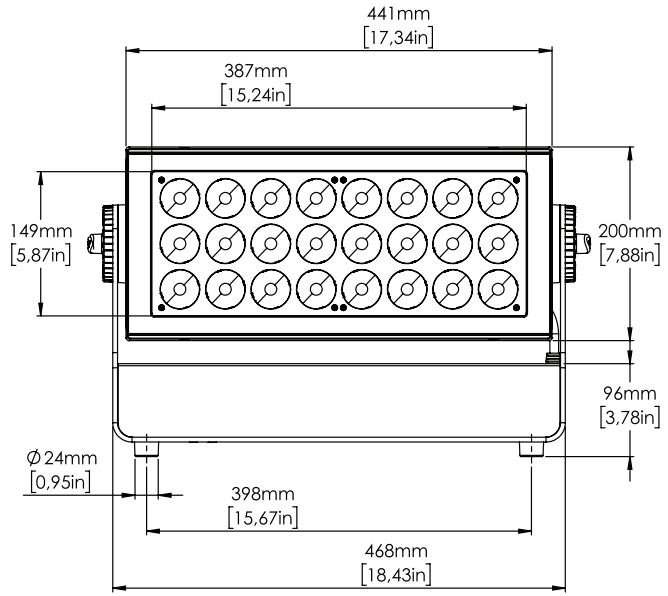
### Certifications & classifications

IP66

RoHS

CE



# Specification

<b>Optical Data</b>	LED expected lifetime	50,000 hours
	Lightsource	24 x high-power 24W RGBW LEDs
	Native lens options	10°
	Optional filters	Elliptical horizontal, I/P, external (10° x 60° angle) Elliptical vertical, I/P, external (60° x 10° angle) Wide, P-1/P-6/P-10, external (47° angle) Medium, P-1/P-6/P-10, external (18° angle)
<b>Photometric</b>	Color temperature range	2000K - 10000K
	Efficacy	37 lm/W
	Light output all LEDs on	18297 lm
	Light output blue	1469 lm
	Light output green	6369 lm
	Light output red	3965 lm
	Lumen per kilogram	1262 lm / Kg
	Lux @ 10m	3546 lux
	Lux @ 3m	39400 lux
	Lux @ 5m	14183 lux
	Native beam angle(s)	11° (with 10° lens) 18° (with Med filter frame) 47° (with Wide filter frame)
	Native field angle(s)	20°
<b>Physical</b>	Color options	Black - RAL 9004 Custom color - Any RAL White - RAL 9010
	Effective Projected Area	2.15 Square ft
	IK rating	IK06
	IP class	IP66
	Lens material	Tempered glass front
	Material	Aluminium PC/ASA Rubber Steel
	Net dimensions	508 x 320 x 166 mm
	Net dimensions inches	20 x 12.6 x 6.5 inches
	Net weight	14.5 kg (32 lbs)
<b>Features</b>	Color calibration	SGM proprietary, full color calibration

	Dehumidifier	Head
	Dimming	3 Smooth fade in, DMX-controllable curves: gamma corrected, linear, halogen emulation
	Emulation mode / effect	Tungsten response emulation Color Filter Emulation
	Filters	Magnetic easy-fit spread angle filter frames
	LED panel	6 individually controllable segments
	Other	Studio DMX mode(s) LED frequency control over DMX
	Physical head straight up height	301 mm
	Strobe	Ultra-high-speed strobe effects Intensity, Duration, Rate and FX control channels Pixel strobe (up to 6 segments)
	Tilt	220°
	Tilt locking system	Locking system with angle indicator
<b>Electrical</b>	Electrical protection	Overload protection with automatic recover
	Input voltage, absolute max. rating	100 - 305 VAC; 50 / 60 Hz
	Input voltage, nominal	115 - 277 VAC; 50 / 60 Hz
	Max inrush current 230VAC	70 A
	Max power consumption	630 W
	Max power thru @ 100 V	13 A
	Max power thru @ 230 V	13 A
	Power factor	0.96 PF (230 V)
	Power Supply Unit	Inbuilt IP 67 Auto-ranging electronic switch-mode
	Standby power consumption	10 W
<b>Programming and Control</b>	16-bit control	Dimmer, Red, Green, Blue, White
	Cabled DMX	5 pin XLR input/output
	DMX channels	4, 6, 8, 9, 10, 18, 21, 24, 26, 27, 40
	DMX modes	13
	Protocol	CRMX, W-DMX™ G2, W-DMX™ G3, W-DMX™ G4, W-DMX™ G4S USITT DMX512A RDM ANSI E1.20
	Setting and addressing	OLED graphical display / 4 buttons RDM ANSI E1.20
	Standalone mode	Quick Color 3 programs with up to 24 scenes
	Wireless DMX	Lumen Radio with RDM
<b>Connections</b>	DMX data in/out	IP67 XLR 5-pin connector, Female

	Power	IP67 XLR 5-pin connector, Male Power input connector & link-thru
<b>Installation</b>	Mounting point	3 x two quarter-turn locking points for two or three Omega Brackets
	Orientation	Any
	Rigging possibilities	Hanging (Omega Bracket included) or ceiling/wall mount (optional)
	Safety features	Bottom mount for safety wire Minimum distance to combustible materials: 0.3 meter (11 in).
<b>Thermal</b>	Cooling	Active, Forced Air, Temperature-regulated
	Humidity (max.)	98 %
	Temperature range, operating	-40°C to 50°C
	Temperature range, start-up	-20°C to 50°C
	Temperature range, storage	-40°C to 80°C
	Thermal protection	Automatic overtemperature protection
	Total heat dissipation, max power	2149.6 BTU per hour
	Total heat dissipation, standby	34.1 BTU per hour
<b>Included items</b>	Included items	2 Omega bracket with quarter-turn fasteners 2 m IP66 power cable pigtail Safety instructions and installation quick guide
<b>Conforms To</b>	CE - 2014/30/EU: EMC Directive	EN 55103-2 EN 55015 EN 61547 EN 61000-3-2 EN 61000-3-3 EN 55032
	CE - 2014/35/EU: Low Voltage Directive	EN 60598-1 EN 60598-2-17 EN 62471 EN 60529
	RoHS2 Directive	2011/65/EU
	UL	UL Std. 1573
<b>Certified To</b>	CSA	CSA Std. C22.2 No. 166

**NOTES:**

Due to continuous improvements and innovations, specifications may change without notice.

LEDs' expected lifetime provided by manufacturer and obtained under manufacturer's test conditions.



## Ordering information

Qty	Product name	Item number
<input type="checkbox"/>	P-6, Std, BL	80031650
<input type="checkbox"/>	P-6, Std, WH	80031651
<input type="checkbox"/>	P-6, Std, CU	80031652
<input type="checkbox"/>		
	<b>Accessories</b>	<b>Item number</b>
<input type="checkbox"/>	Omega Bracket with 1/4-turn fasteners	83060602
<input type="checkbox"/>	Power cable with IP connector	07860275
<input type="checkbox"/>	SGM USB uploader cable	83062011
<input type="checkbox"/>	Vacuum Test Kit	83061136
<input type="checkbox"/>	A-4	80070217
<input type="checkbox"/>	4-way Barndoors for P-6 / Q-8 / I-6	83061173
<input type="checkbox"/>	Filter frame for P-6/Q-8 - medium angle	83061170
<input type="checkbox"/>	Filter frame for P-6/Q-8 - wide angle	83061171
<input type="checkbox"/>	Filter frame for P-6/Q-8 - elliptical horizontal wide angle	83061168
<input type="checkbox"/>	Filter frame for P-6/Q-8 - elliptical vertical wide angle	83061169
<input type="checkbox"/>	8-way Barndoors for P-6 / Q-8	83061186
<input type="checkbox"/>	RDM Addressing Tool	
<input type="checkbox"/>	Flight Case for 4 pcs of P-6/Q-8 incl. accessories	82051509
<input type="checkbox"/>	Spigot adapter for omega bracket	83060639
<input type="checkbox"/>	DoPchoice Snapbag for Q-8 / P-6	83061189
<input type="checkbox"/>	DoPchoice Snapgrid for Q-8 / P-6	83061190
<input type="checkbox"/>	Filter Frame Extender, P-6 / Q-8	83061191
<input type="checkbox"/>		



Headquarter +45 70 20 74 00

Mail [info@sgmlight.com](mailto:info@sgmlight.com)

Website [sgmlight.com](http://sgmlight.com)

