



ZT57250

MIXING CONSOLE

MG06X

MG06 Technical Specifications

## General Specifications

0 dBu = 0.775 Vrms Output impedance of signal generator (Rs) = 150 Ω  
All level knobs are nominal if not specified.

<b>Frequency Response</b>	<b>Input to STEREO OUT</b>	+0.5 dB/-0.5 dB (20 Hz to 20 kHz), refer to the nominal output level @ 1 kHz, GAIN knob: Min
<b>Total Harmonic Distortion (THD+N)</b>	<b>Input to STEREO OUT</b>	0.01 % @ +8 dBu (20 Hz to 20 kHz), GAIN knob: Min 0.003 % @ +18 dBu (1 kHz), GAIN knob: Min
<b>Hum&amp;Noise *1 (20 Hz to 20 kHz)</b>	<b>Equivalent Input Noise</b>	-128 dBu (Mono Input Channel, Rs: 150Ω, GAIN knob: Max)
	<b>Residual Output Noise</b>	-102 dBu (STEREO OUT, STEREO LEVEL knob: Min)
<b>Crosstalk (1 kHz) *2</b>		-88 dB
<b>Input Channels</b>		6 channels: Mono (MIC/LINE): 2, Stereo (LINE): 2
<b>Output Channels</b>		STEREO OUT: 2, PHONES: 1
<b>Bus</b>		STEREO: 1
<b>Mono Input Channel Function</b>	<b>PAD</b>	26 dB
	<b>HPF</b>	80 Hz, 12 dB/oct
	<b>EQ HIGH</b>	Gain: +15 dB/-15 dB, Frequency: 10 kHz shelving
	<b>EQ LOW</b>	Gain: +15 dB/-15 dB, Frequency: 100 Hz shelving
	<b>PEAK LED</b>	LED turns on when post EQ signal reaches 3 dB below clipping (+11 dBu)
<b>Level Meter</b>	<b>Post STEREO LEVEL Knob</b>	2 x 7-segment LED meter [PEAK (+11), +6, +3, 0, -3, -10, -20 dB]
<b>Internal Digital Effect (MG06X)</b>	<b>SPX Algorithm</b>	6 programs
<b>Phantom Power Voltage</b>		+48 V
<b>Power Supply Adaptor</b>		PA-130 (DC12 V/1.0 A, Cable length = 1.8 m), 120 V, 60 Hz, or MU18 (DC12 V/1.5 A, Cable length = 1.5 m), 100 V-240 V, 50 Hz/60 Hz, or an equivalent recommended by Yamaha
<b>Power Consumption</b>		12 W
<b>Dimensions (W×H×D)</b>		149 mm×62 mm×202 mm (5.9"× 2.4"× 7.9")
<b>Net Weight</b>		0.9 kg (2.0 lbs)
<b>Optional Accessory</b>		Mic Stand Adaptor: BMS-10A
<b>Included Accessory</b>		AC power adaptor, Owner's Manual, Technical Specifications (this leaflet)
<b>Operating Temperature</b>		0 to +40°C

\*1 Noise is measured with A-weighting filter. \*2 Crosstalk is measured with 1 kHz band pass filter.

## Analog Input Characteristics

Input Jacks	PAD 26 dB	GAIN Trim	Actual Load Impedance	For Use With Nominal	Input level			Connector
					Sensitivity *1	Nominal	Max. before clip	
MIC/LINE 1/L,2/R	OFF	+64 dB	3 kΩ	50-600 Ω Mics/Lines	-72 dBu (0.195 mV)	-60 dBu (0.775 mV)	-46 dBu (3.884 mV)	Combo jack*2 (Balanced)
		+20 dB			-28 dBu (30.85 mV)	-16 dBu (122.8 mV)	-2 dBu (615.6 mV)	
	ON	+38 dB			-46 dBu (3.884 mV)	-34 dBu (15.46 mV)	-20 dBu (77.50 mV)	
		-6 dB			-2 dBu (615.6 mV)	+10 dBu (2.451 V)	+24 dBu (12.28 V)	
LINE 3/4, 5/6	-	-	10 kΩ	600 Ω Lines	-22 dBu (61.56 mV)	-10 dBu (245.1 mV)	+4 dBu (1.228 V)	Phone jack*3 (Unbalanced)

## Analog Output Characteristics

Output Jacks	Actual Source Impedance	For Use With Nominal	Output level		Connector
			Nominal	Max. before clip	
STEREO OUT L, R	75 Ω	10 kΩ Lines	+4 dBu (1.228 V)	+18 dBu (6.156 V)	XLR-3-32 *4 Phone jack *5 (Balanced)
PHONES	33 Ω	40 Ω Lines	2.4 mW + 2.4 mW	24 mW + 24 mW	Stereo phone jack

0dBu is referenced to 0.775Vrms.

\*1 Sensitivity is the lowest level that will produce an output of +4 dBu (1.228 V) or the nominal output level when the unit is set to maximum gain. (All level knobs are at their maximum position.)

\*2 1&Sleeve = Ground, 2&Tip = Hot, 3&Ring = Cold

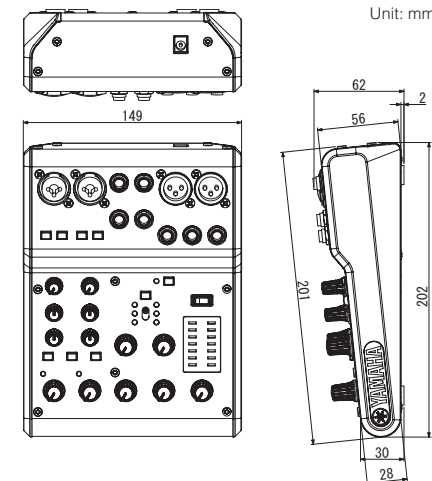
\*3 Tip = Signal, Sleeve = Ground

\*4 1 = Ground, 2 = Hot, 3 = Cold

\*5 Tip = Hot, Ring = Cold, Sleeve = Ground

## Dimensions

The illustration shows the MG06X.



\* The contents of this manual apply to the latest specifications as of the publishing date. To obtain the latest manual, access the Yamaha website then download the manual file.

# Block and Level Diagrams

